

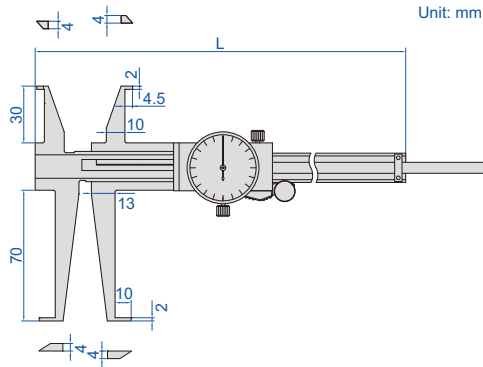
**SHOCK
PROOF**

INSIDE GROOVE DIAL CALIPERS

- Measure diameter of grooves inside bores
- Shockproof dial indicator
- Dial indicator graduation: 0.02mm
- Made of stainless steel
- Optional accessory: depth stop (code **6143**)



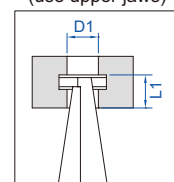
1376-150



Code	Range of upper jaw	Range of lower jaw	Accuracy	L
1376-150	11-150mm	18-150mm	±0.03mm	240mm
1376-200	11-200mm	18-200mm	±0.03mm	290mm
1376-300	11-300mm	18-300mm	±0.04mm	390mm

(mm) sizes to be measured
(use upper jaws)

D1	L1
Ø11	<8
Ø12	<10
Ø13	<15
Ø14	<20
Ø15~300	<30



sizes to be measured
(use lower jaws)

D2	L2
Ø18	<20
Ø19	<28
Ø20	<35
Ø21	<40
Ø22	<50
Ø23~300	<70

